

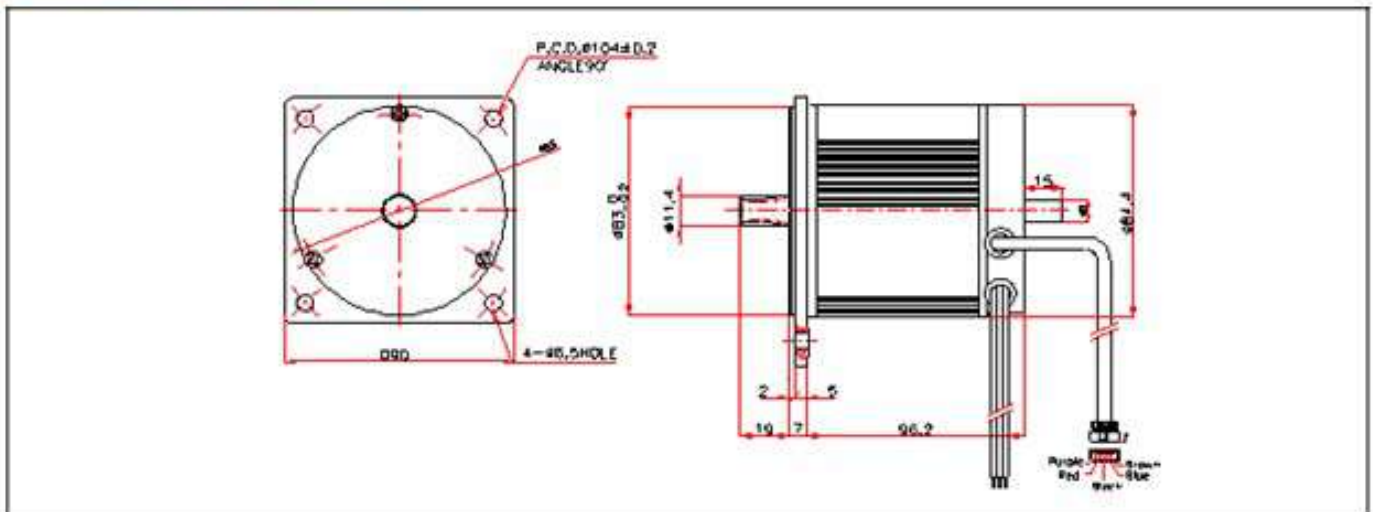
WM Series, BLDC Motor

□ 90mm

WMEB-074DAB



Dimensions



Specification

Model No	Dimension [Unit : mm]	Rated Load				
		Voltage [V DC]	Current [A DC]	Speed [RPM]	Torque [kg cm]	OutPut [W]
WMEB-074DAB	D84×L103	24	17	2,800	10	300